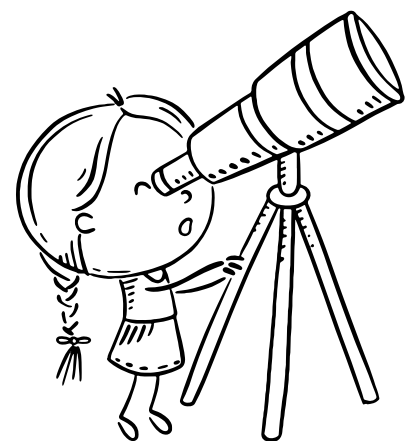
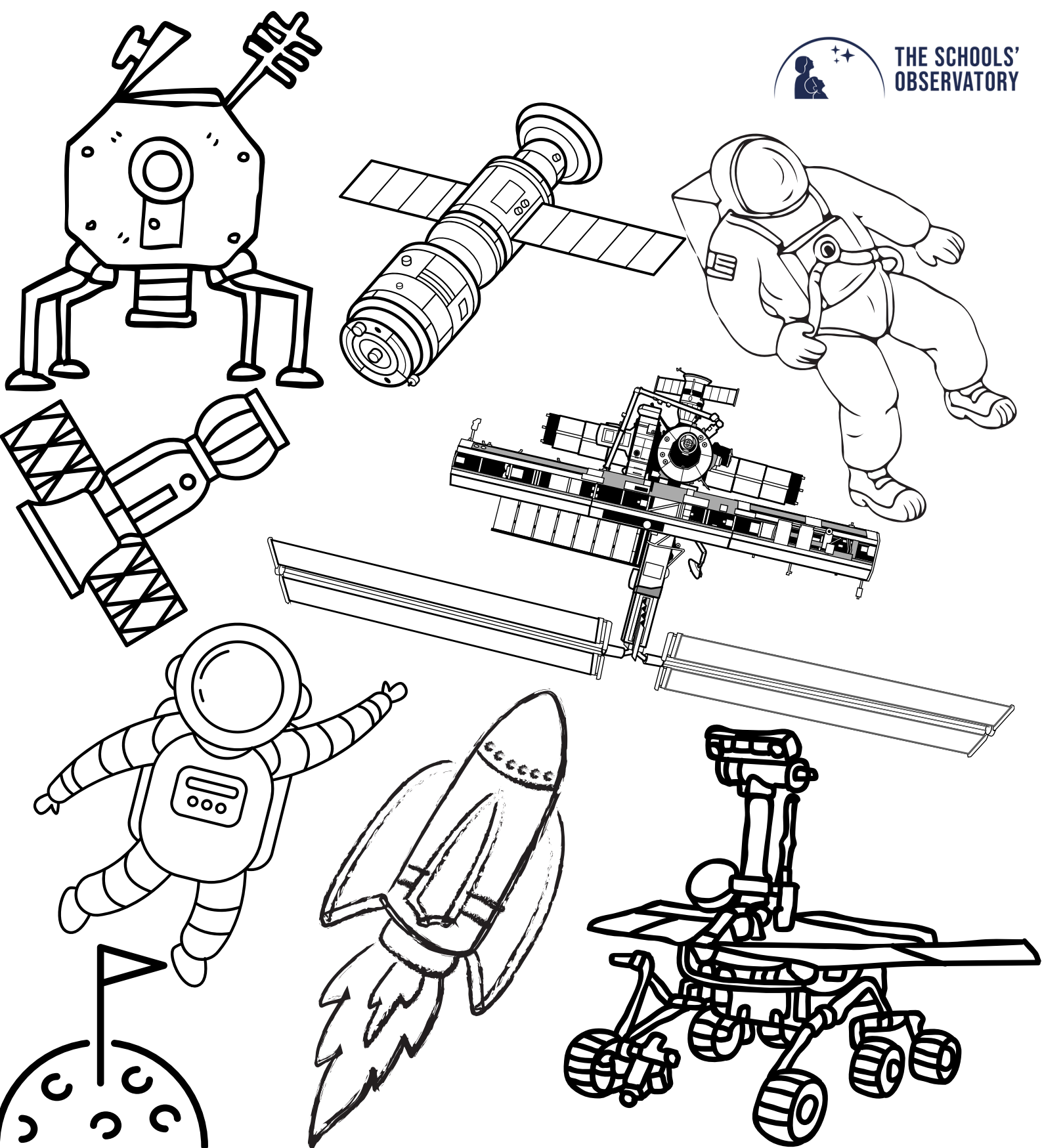


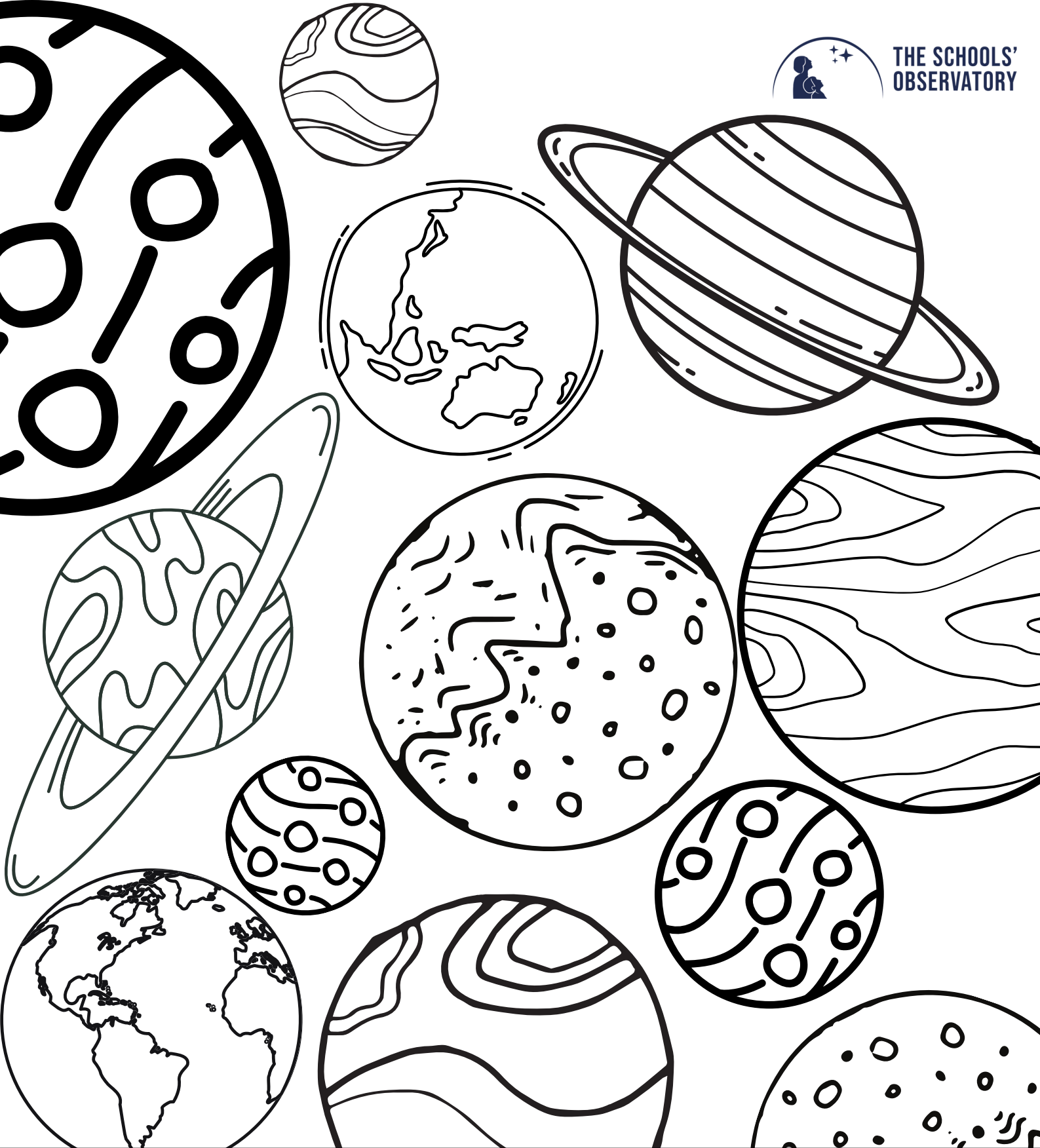


THE SCHOOLS'  
OBSERVATORY



# COLOUR YOUR SPACE

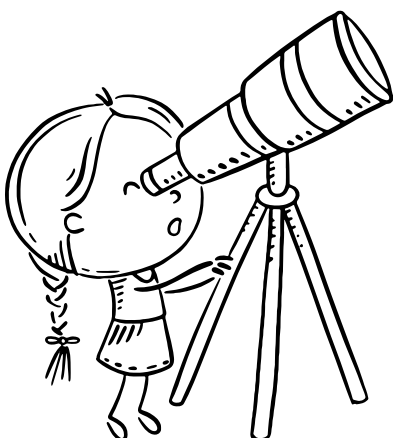
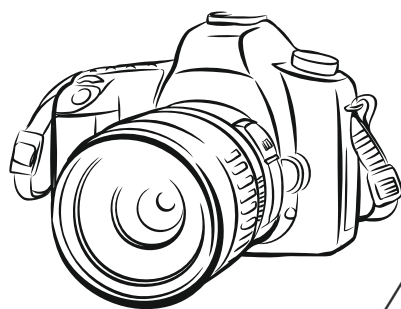
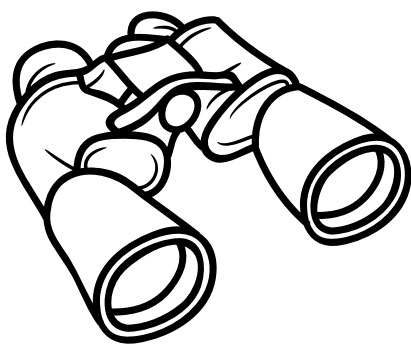
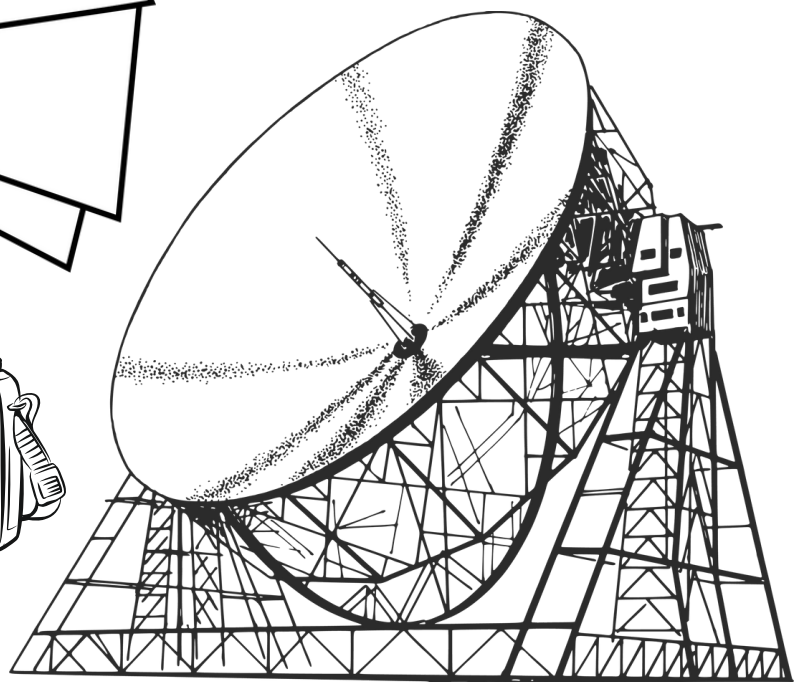
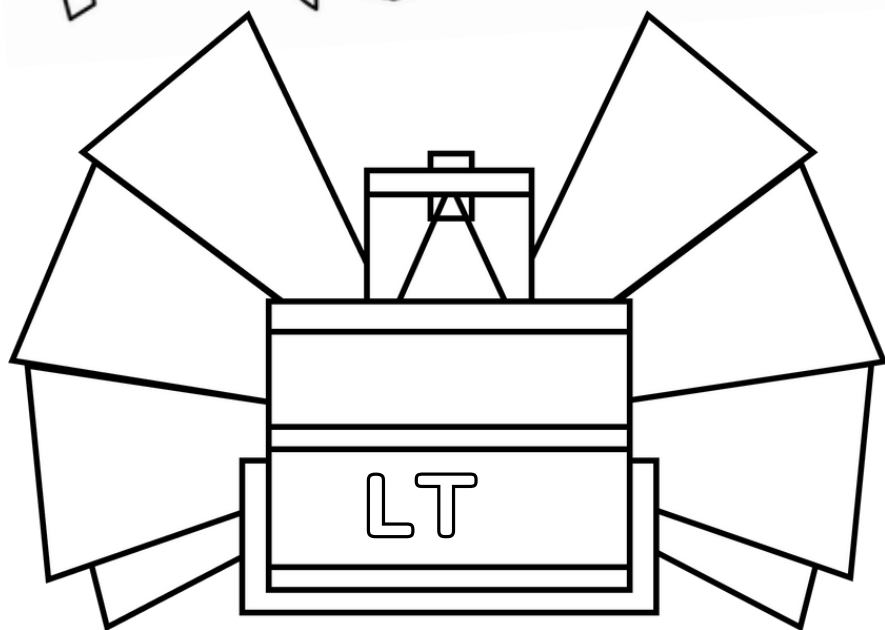
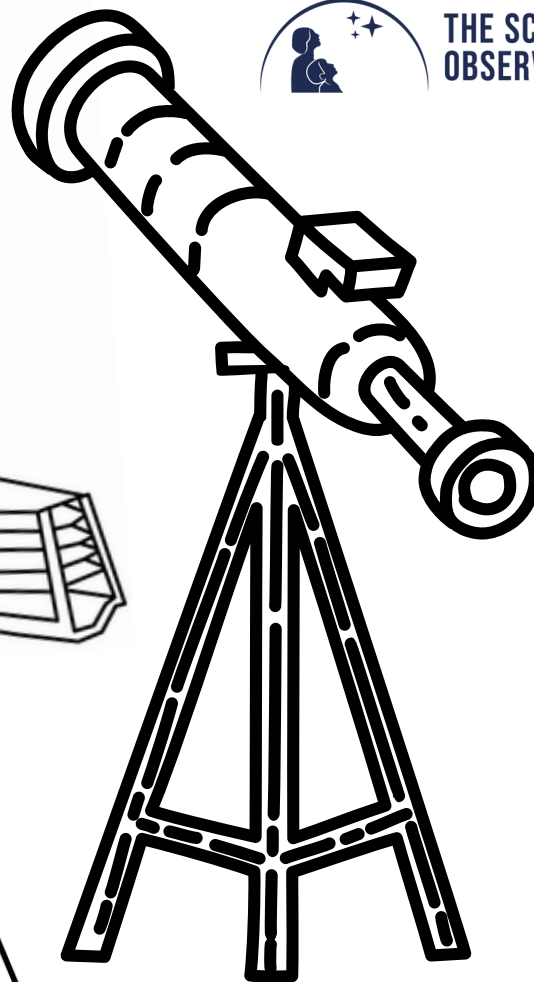
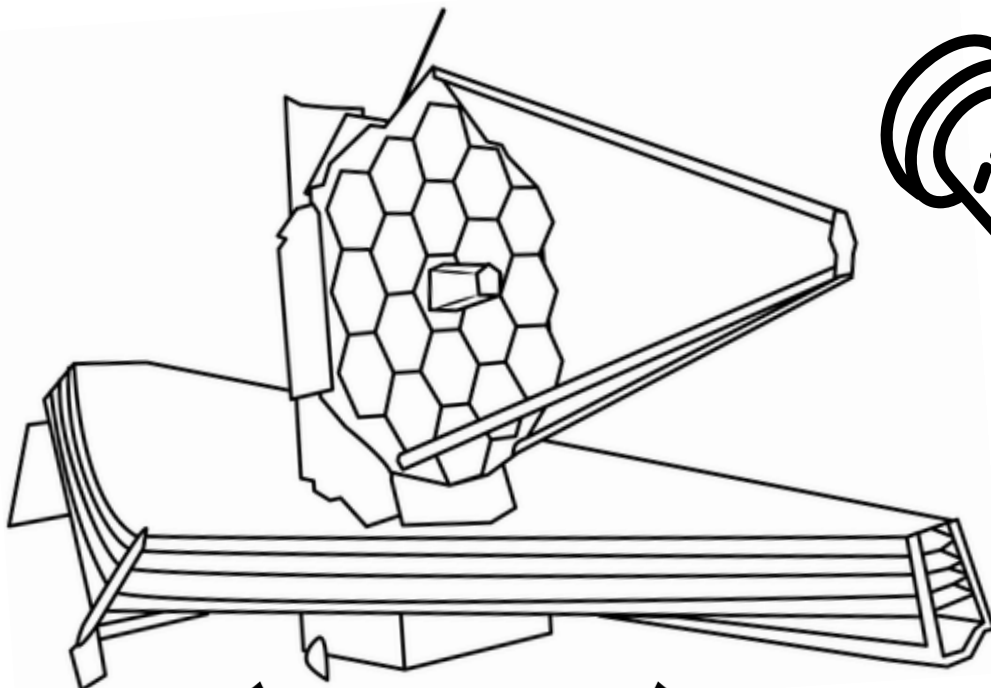
[SchoolsObservatory.org](http://SchoolsObservatory.org)



# COLOUR YOUR SPACE



THE SCHOOLS'  
OBSERVATORY



# COLOUR YOUR SPACE

[SchoolsObservatory.org](http://SchoolsObservatory.org)